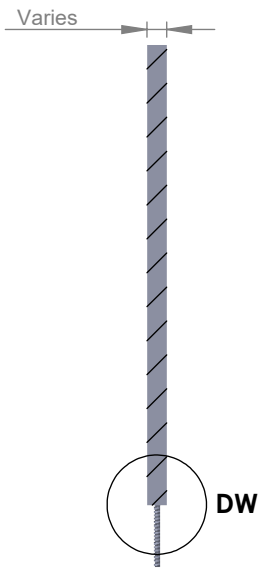
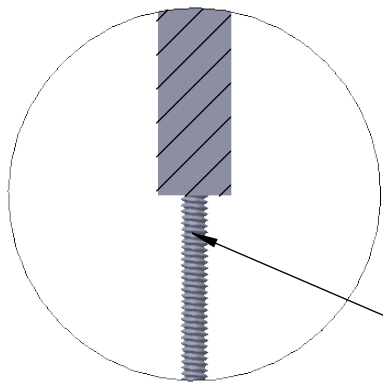


FRONT VIEW II SCALE 1 : 5



SECTION A-A SCALE 1 : 5



Aluminum 10-24 studs
(optional spacers)

DETAIL DW SCALE 3 : 4



ISOMETRIC BACK VIEW II SCALE 1 : 3

- NOTES:**
- Min. 3/8" thick, drilled and tapped
 - 2 studs per letter
 - Optional sanded bottoms of round letters such as (C, O, U, G, etc...)
 - Aluminum 10/24 studs (Stainless steel - optional)
 - Available gauges (3/8", 1/2", 3/4", 1", 1 1/2" thick)
 - Pigmented acrylic or sprayed with acrylic polyurethane paint
 - Tie backs recommended on letters over 8" high (not supplied)
 - Standard Gemini letter styles or per vector art



TITLE:
LASER CUT ACRYLIC- DRILLTAP BOTTOM STUD MOUNT

MATERIAL:
IMPACT MODIFIED ACRYLIC

PRODUCT TYPE:
PLASTIC LETTERS

DWG NO. LASR150

REV. 9/7/2016

SCALE: AS INDICATED

SHEET 1 OF 1