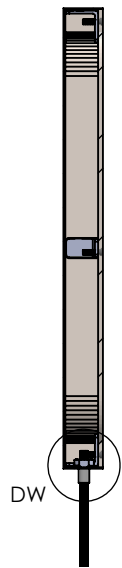
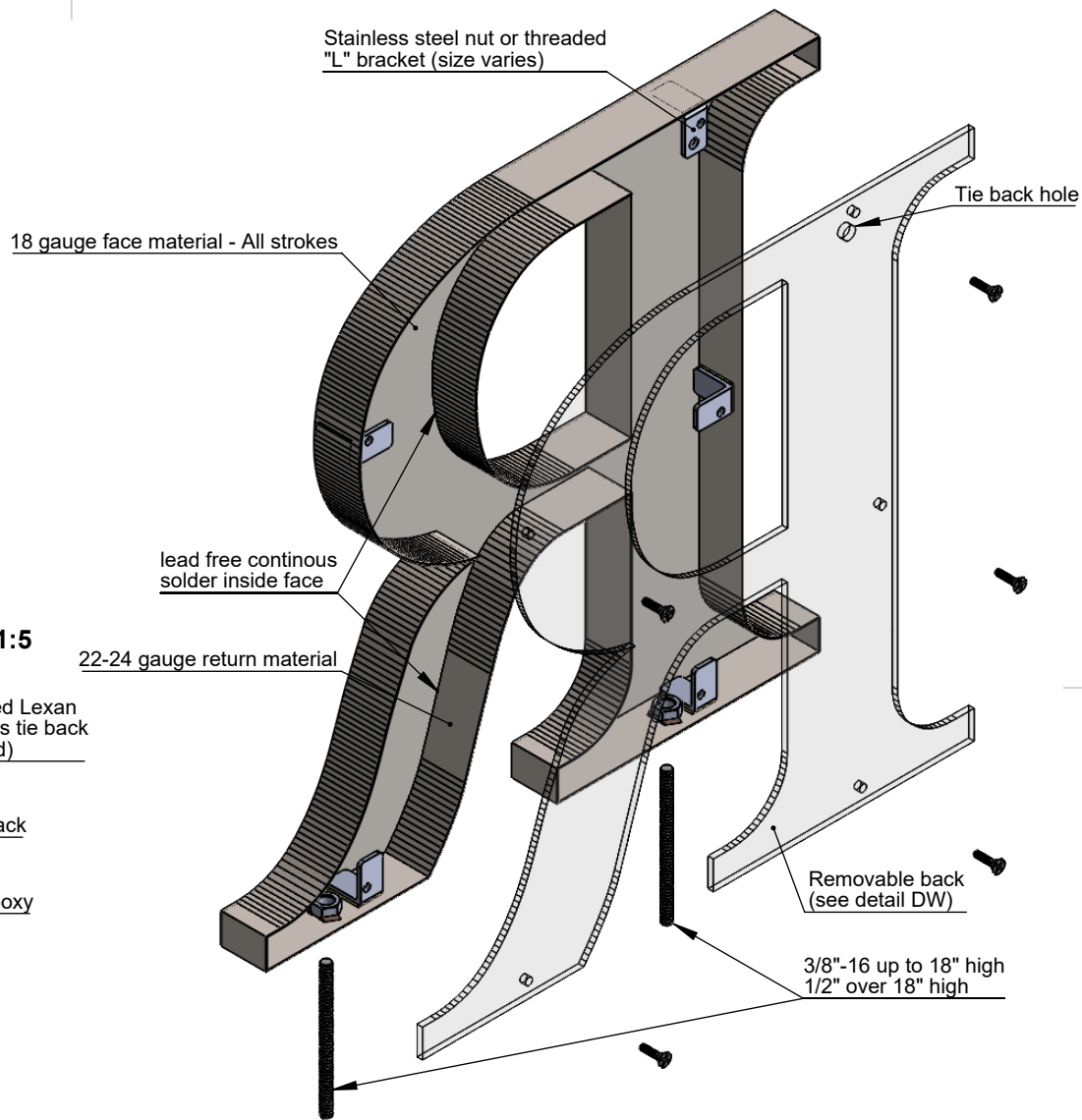


FRONT VIEW II SCALE 1:5



SECTION VIEW A-A II SCALE 1:5



ISOMETRIC BACK VIEW II SCALE 1:3

Stainless steel mounting stud (size varies)

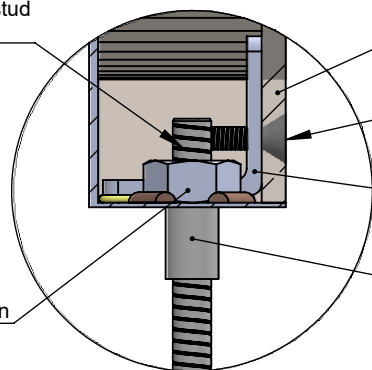
Removable clear or light diffused Lexan or stainless steel back. Requires tie back with letters over 8" (not included)

Flush back secured with stainless steel screw w/lexan back

Nut or threaded "L" bracket secured with high resistance epoxy

Optional spacer sleeve (size varies)

Stainless steel Hex nut (size varies) Soldered to inside of return



DETAIL DW II SCALE 1:1

18 gauge face material - All strokes

lead free continous solder inside face

22-24 gauge return material

Stainless steel nut or threaded "L" bracket (size varies)

Tie back hole

Removable back (see detail DW)

3/8"-16 up to 18" high 1/2" over 18" high

**BACK OPTIONS**

- Clear Lexan: 6-12" high - 0.118 thick
- Light diffused Lexan: 0.177" thick
- Stainless steel - same gauge as face

**MATERIAL OPTIONS**

- Standard - 304 prefinished stainless steel
- Optional - 316 prefinished stainless steel (more corrosion resistant)
- 304 prefinished stainless with titanium coating



TITLE:

**METAL FACE WITH BACK - BOTTOM STUD MOUNT**

MATERIAL:

**STAINLESS STEEL**

PRODUCT TYPE:

**FABRICATED METAL**