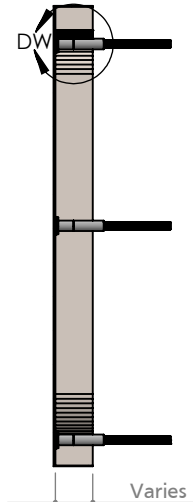
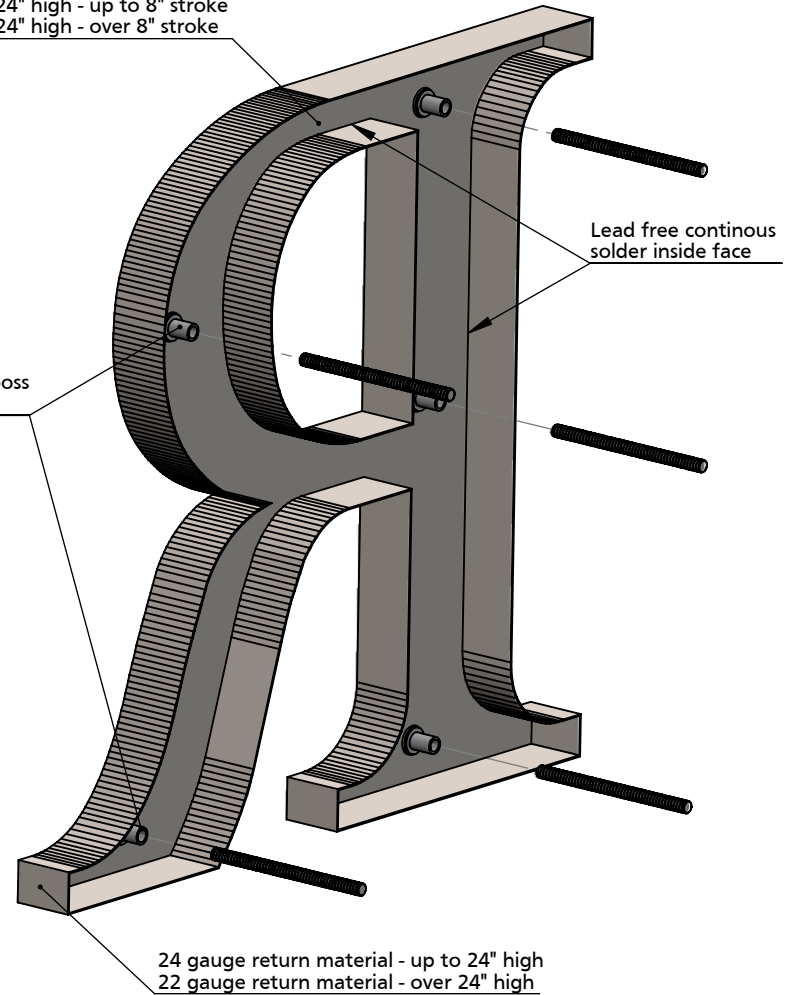


BACK VIEW II SCALE 1:5

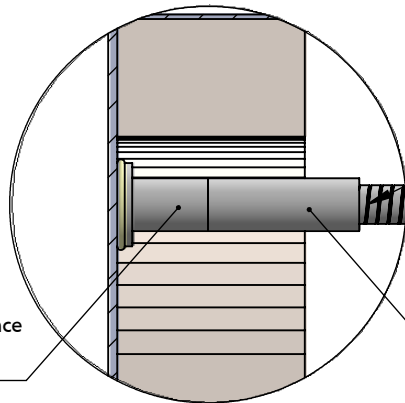


SECTION A-A II SCALE 1:5

18 gauge face material - up to 24" high - All strokes
 18 gauge face material - over 24" high - up to 8" stroke
 16 gauge face material - over 24" high - over 8" stroke



ISOMETRIC BACK VIEW II SCALE 1:3



DETAIL DW II SCALE 1:1

Shadow free stud boss secured with high resistance epoxy to back of face
 Size varies (see table)

Stainless steel Mounting stud
 Size varies (see table)

Optional spacer sleeve (size varies)

24 gauge return material - up to 24" high
 22 gauge return material - over 24" high

LETTER SIZE	MIN. STROKE	PAD	STUD
up to 12"	0.75"	19mm	Small 10 - 24
over 12" to 24"	1.25"	31mm	Large 1/4 - 20

MATERIAL OPTIONS
 Standard - 304 prefinished stainless steel
 Optional - 316 prefinished stainless steel (more corrosion resistant)
 - 304 prefinished stainless with titanium coating



TITLE: METAL FACE NO BACK - SHADOW FREE MOUNT	
MATERIAL: STAINLESS STEEL	PRODUCT TYPE: FABRICATED METAL