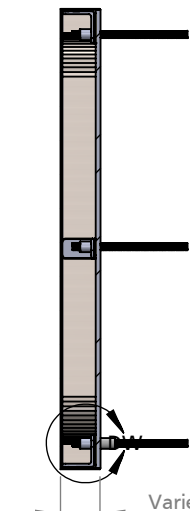
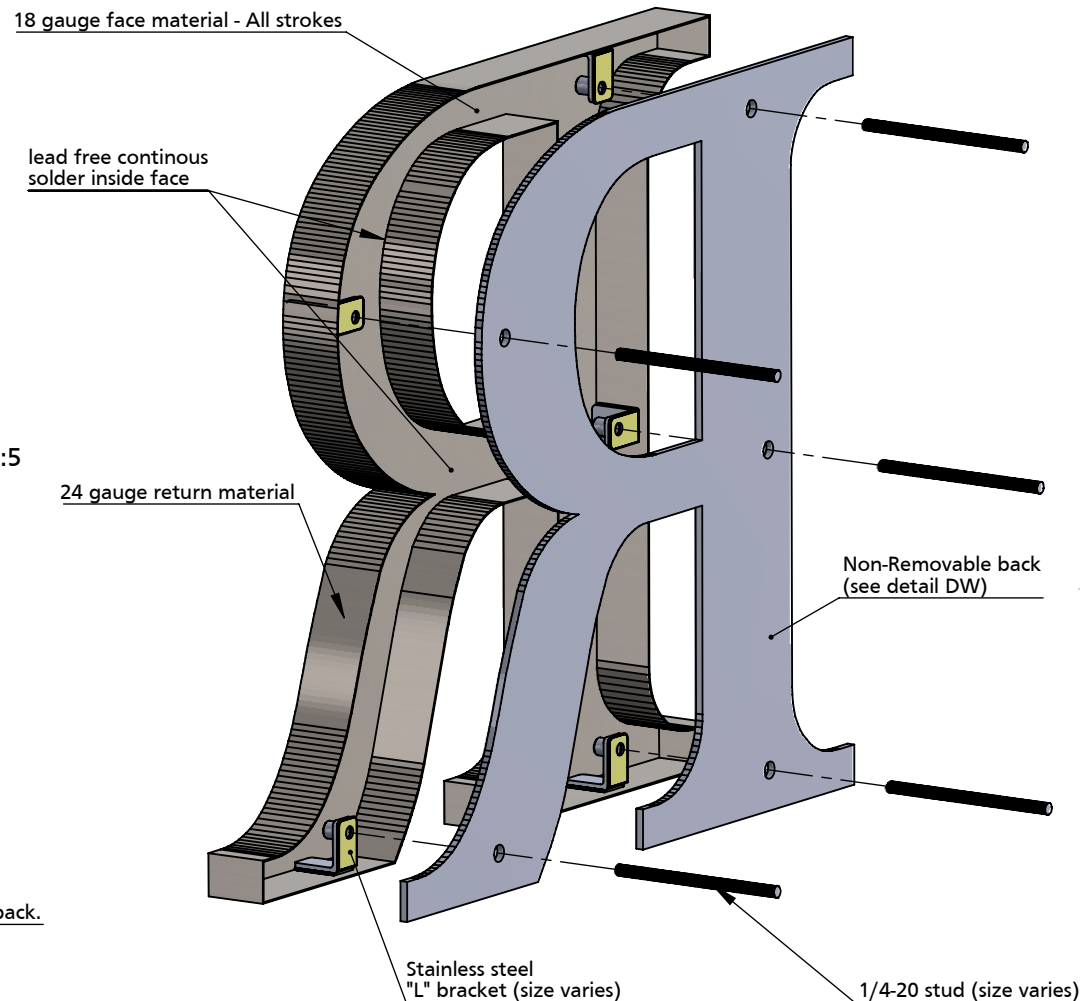


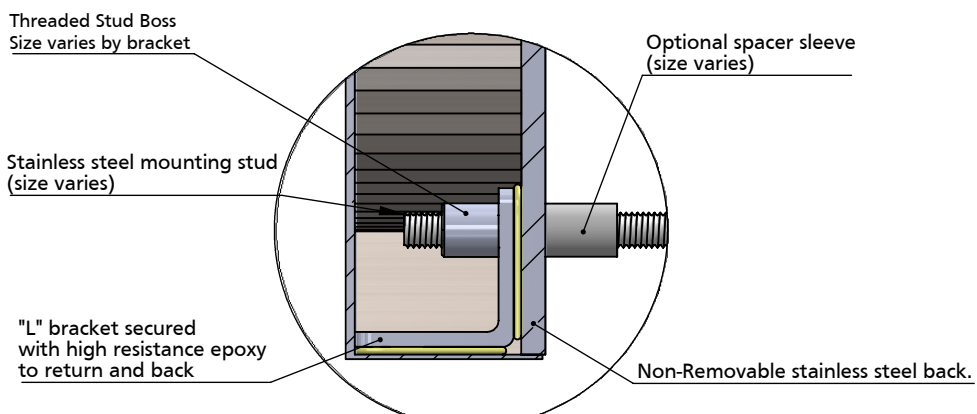
BACK VIEW II SCALE 1:5



SECTION VIEW A-A II SCALE 1:5



ISOMETRIC BACK VIEW II SCALE 1:3



DETAIL DW II SCALE 1:1

**BACK OPTIONS**

- Stainless steel - same gauge as face (optional: 1/8" thick metal back)

**MATERIAL OPTIONS**

Standard - 304 prefinished stainless steel

Optional - 316 prefinished stainless steel (more corrosion resistant)

- 304 prefinished stainless with titanium coating



TITLE:

**METAL FACE W/NON-REMOVABLE BACK STUD MOUNT**

MATERIAL:

**STAINLESS STEEL**

PRODUCT TYPE:

**FABRICATED METAL**

DWG NO. FABL300

REV 03/17/2015

SCALE: AS INDICATED

SHEET 1 OF 1