

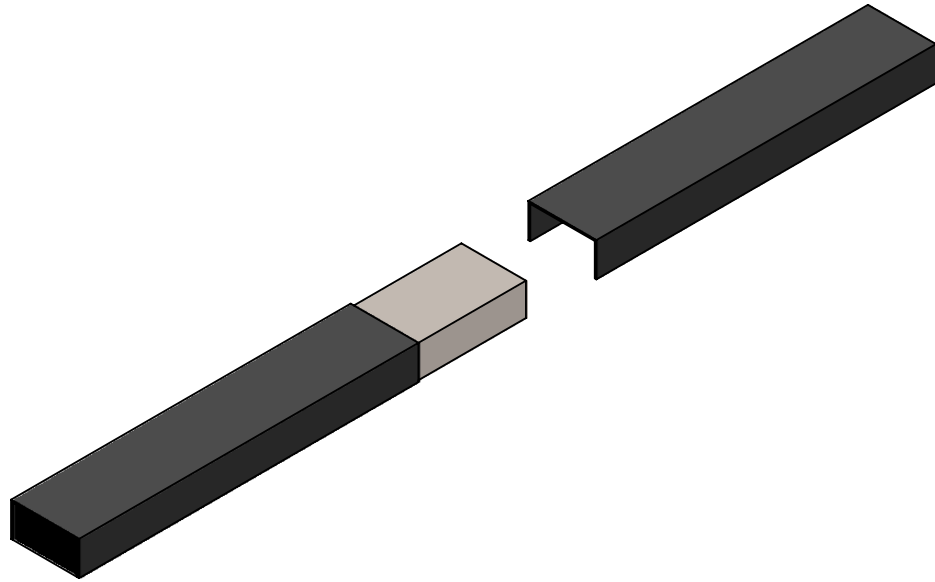
1 2 3 4 5 6

A

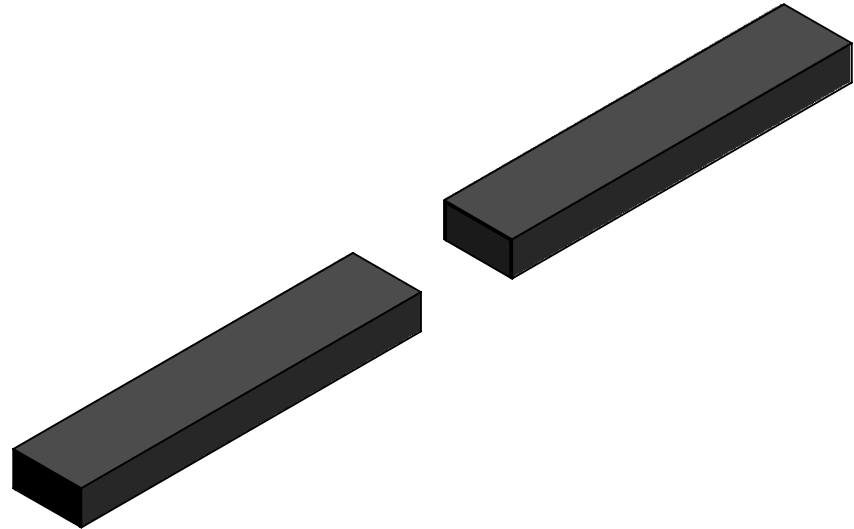
A

B

B



ISOMETRIC VIEW SPLICE JOINT II SCALE 1:4



ISOMETRIC VIEW BUTT JOINT II SCALE 1:4 (OPTIONAL)

**NOTES:**

- Larger pieces and longer bars which cannot be manufactured in one piece will be produced with a splice joint.(Unless otherwise specified on order).
- LIT or NON-LIT products.

C

C

D



TITLE:

**FABRICATED JOINT OPTIONS**

MATERIAL:

**STAINLESS STEEL**

PRODUCT TYPE:

**FABRICATED METAL**

1

2

DWG NO. FABL290

REV 11/18/14

SCALE: AS INDICATED

SHEET 1 OF 1