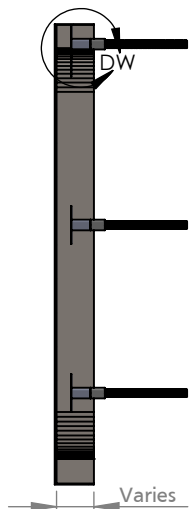
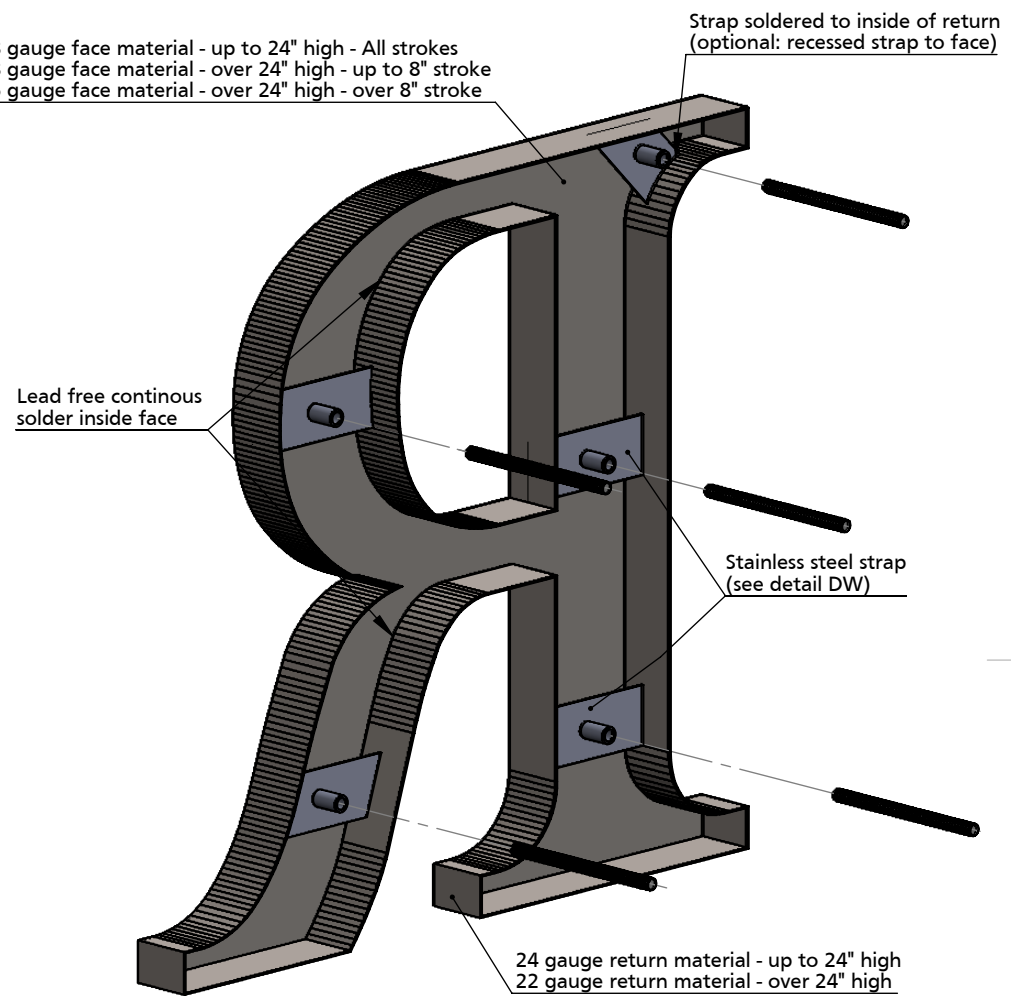


BACK VIEW II SCALE 1:5



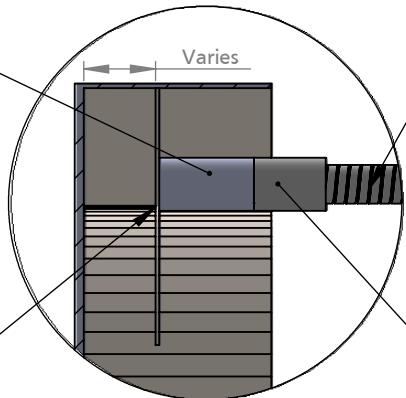
SECTION A-A II SCALE 1:5

18 gauge face material - up to 24" high - All strokes  
 18 gauge face material - over 24" high - up to 8" stroke  
 16 gauge face material - over 24" high - over 8" stroke



ISOMETRIC BACK VIEW II SCALE 1:3

Threaded stud boss welded to strap  
 Size varies (see table)



DETAIL DW II SCALE 1:1

Stainless steel mounting stud  
 Size varies (see table)

Optional spacer sleeve (size varies)

| LETTER SIZE | STUD BOSS |
|-------------|-----------|
| 6" to 24"   | 10 -24    |
| over 24"    | 1/4 - 20  |

MATERIAL OPTIONS  
 Standard - 304 prefinished stainless steel  
 Optional - 316 prefinished stainless steel (more corrosion resistant)  
 - 304 prefinished stainless with titanium coating



|   |  |
|---|--|
| TITLE:<br><b>METAL FACE NO BACK - STRAP MOUNT</b> |  |
| MATERIAL:<br><b>STAINLESS STEEL</b>               | PRODUCT TYPE:<br><b>FABRICATED METAL</b> |
| DWG NO. FABL20                                    | REV 12/10/14                             |
| SCALE: AS INDICATED                               | SHEET 1 OF 1                             |