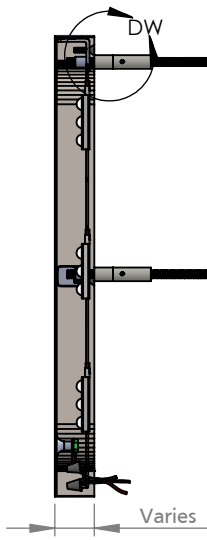


FRONT VIEW II SCALE 1:5



SECTION A-A II SCALE 1:5

18 gauge face material - up to 24" high - All strokes
 18 gauge face material - over 24" high - up to 8" stroke
 16 gauge face material - over 24" high - over 8" stroke

24 gauge return material - up to 24" high
 22 gauge return material - over 24" high

Lead free continous solder inside face

Stainless steel "L" bracket (size varies)

Removable back (see detail DW)

"L" bracket secured with high resistance epoxy to return

Clear anodized aluminum detachable stud.

Flush back secured with stainless steel screw

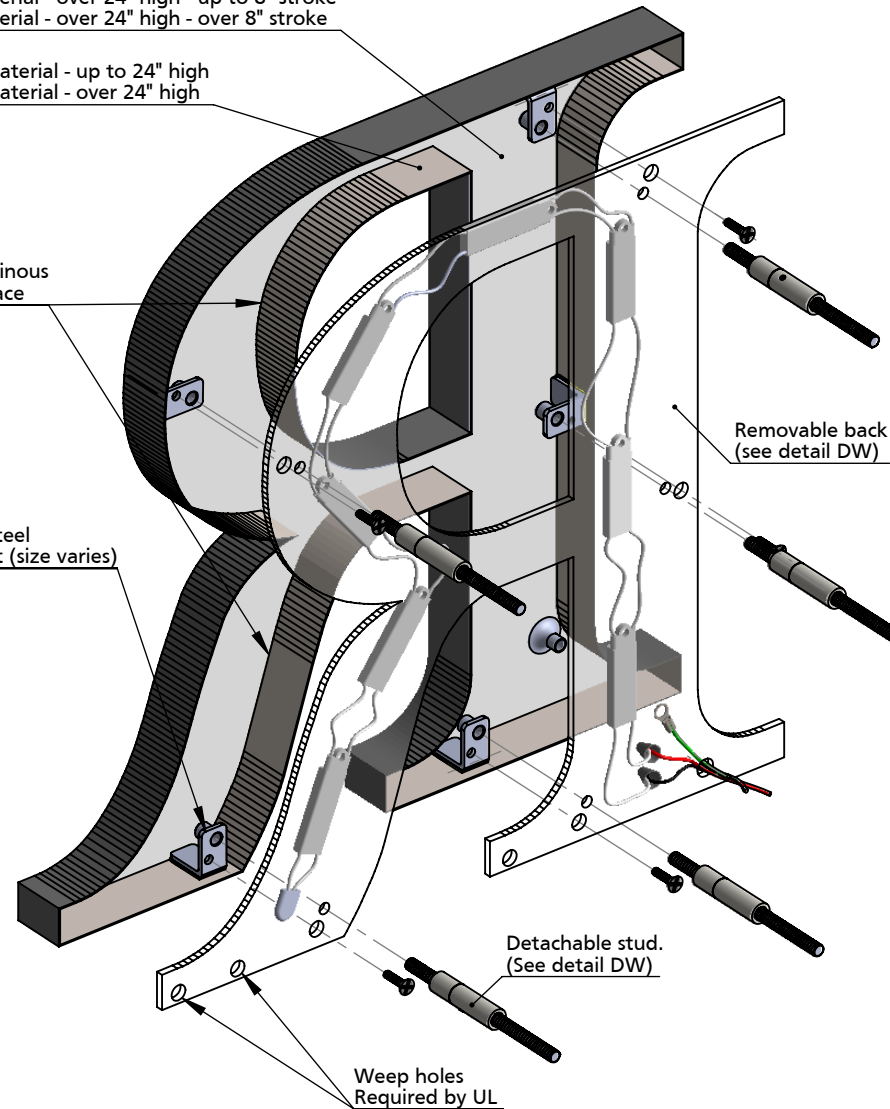
Stainless steel Mounting Stud Size varies (see table)

Threaded Stud Boss Size varies by bracket

Removable clear or light diffused Lexan or stainless steel back.

Set screw loosened with Allen wrench (wrench included)

DETAIL DW II SCALE 1:1



ISOMETRIC BACK VIEW II SCALE 1:3

BACK OPTIONS

- Clear Lexan: 6-24" high - 0.118 thick, over 24" - 0.236" thick
- Light diffused Lexan: 0.177" thick

MATERIAL OPTIONS

- Standard - 304 prefinished stainless steel
- Optional - 316 prefinished stainless steel (more corrosion resistant)
- 304 prefinished stainless with titanium coating



TITLE:

METAL FACE WITH BACK - LED - DETACHABLE STUD

MATERIAL:

STAINLESS STEEL

PRODUCT TYPE:

FABRICATED METAL