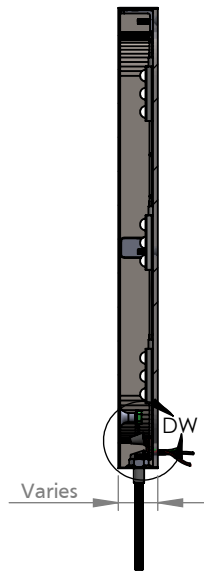


BACK VIEW II SCALE 1:5



SECTION VIEW A-A II SCALE 1:5

18 gauge face material - up to 24" high - All strokes
 18 gauge face material - over 24" high - up to 8" stroke
 16 gauge face material - over 24" high - over 8" stroke

24 gauge return material - up to 24" high
 22 gauge return material - over 24" high

Inside cans
 painted white

Lead free continuous
 solder inside face

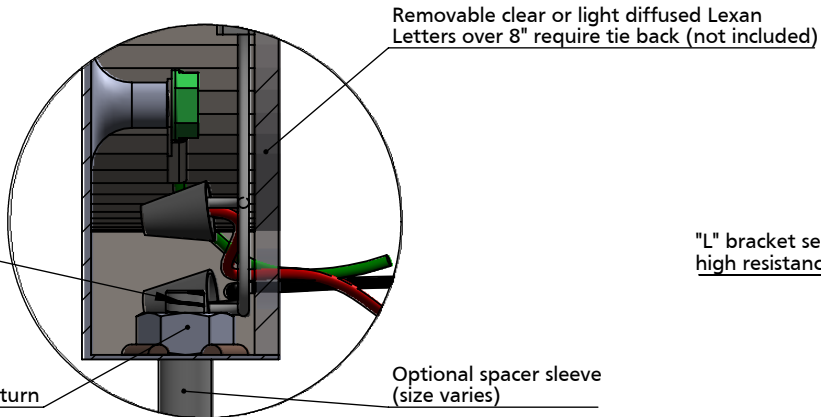
Tie back hole

Removable back
 See detail DW

Stainless steel screw
 secures back

"L" bracket secured with
 high resistance epoxy to return

Weep holes
 Required by UL



DETAIL DW II SCALE 1:1

Removable clear or light diffused Lexan
 Letters over 8" require tie back (not included)

Stainless steel
 Mounting Stud
 Size varies

Stainless steel
 Hex nut (size varies)
 Soldered to inside of return

Optional spacer sleeve
 (size varies)

ISOMETRIC BACK VIEW II SCALE 1:3

BACK OPTIONS

- Clear Lexan: 6-24" high - 0.118 thick, over 24" - 0.236" thick
- Light diffused Lexan: 0.177" thick

MATERIAL OPTIONS

- Standard - 304 prefinished stainless steel
- Optional - 316 prefinished stainless steel (more corrosion resistant)
- 304 prefinished stainless with titanium coating



TITLE:

METAL FACE WITH BACK- LED - BOTTOM STUD

MATERIAL:

STAINLESS STEEL

PRODUCT TYPE:

FABRICATED METAL

DWG NO. FABL170

REV 11/05/14

SCALE: AS INDICATED

SHEET 1 OF 1