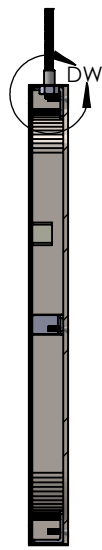
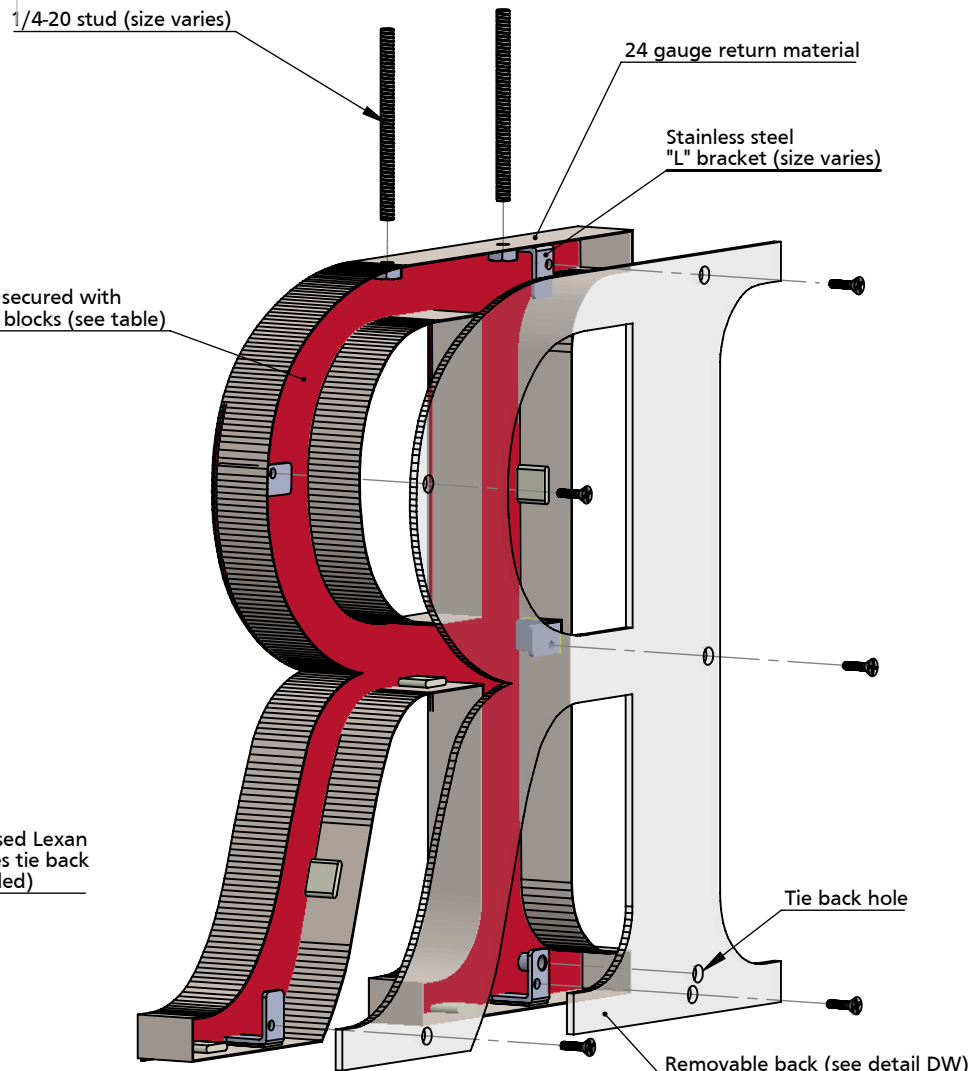


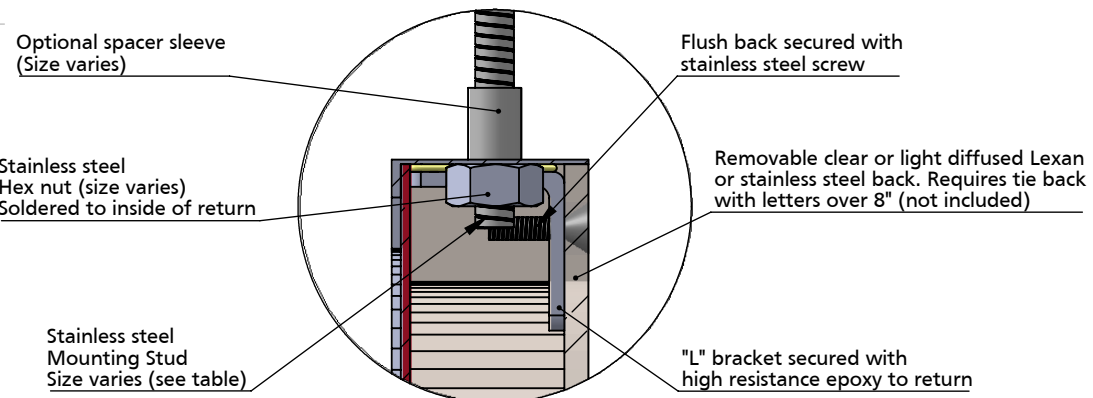
FRONT VIEW II SCALE 1:5



SECTION A-A II SCALE 1:5



ISOMETRIC BACK VIEW II SCALE 1:3



DETAIL DW II SCALE 1:1

NOTE: This mounting option is recommended for interior only.

INSERT OPTIONS	
Stainless steel	18-20 gauge up to 24" high
	16-18 gauge over 24" to 36" high
Acrylic	3/16" thick - up to 36" high

MATERIAL OPTIONS
 Standard - 304 prefinished stainless steel
 Optional - 316 prefinished stainless steel (more corrosion resistant)
 - 304 prefinished stainless with titanium coating



BACK OPTIONS
 - Clear Lexan: 6-12" high - 0.118 thick.
 - Light diffused Lexan: 0.177" thick
 - Stainless steel - same gauge as face

TITLE: CUT OUT FACE WITH INSERT - BACK - TOP STUD	
MATERIAL: STAINLESS STEEL	PRODUCT TYPE: FABRICATED METAL
DWG NO. FAB130	REV 12/11/14
SCALE: AS INDICATED	SHEET 1 OF 1