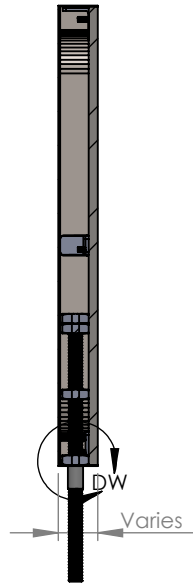
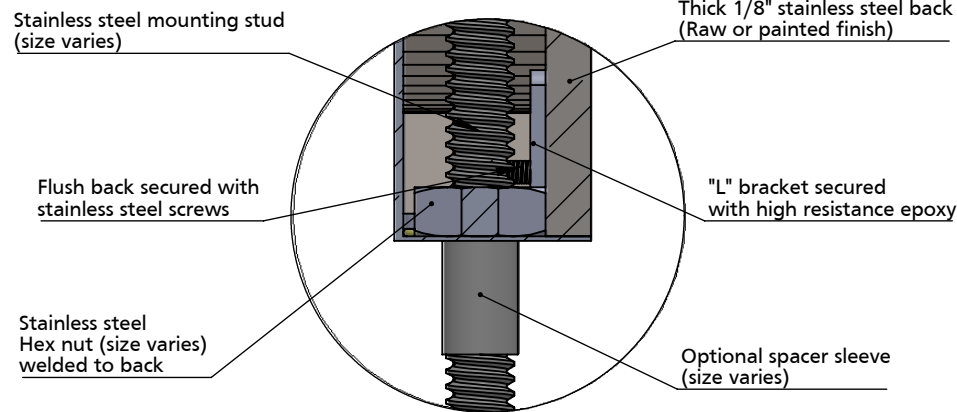


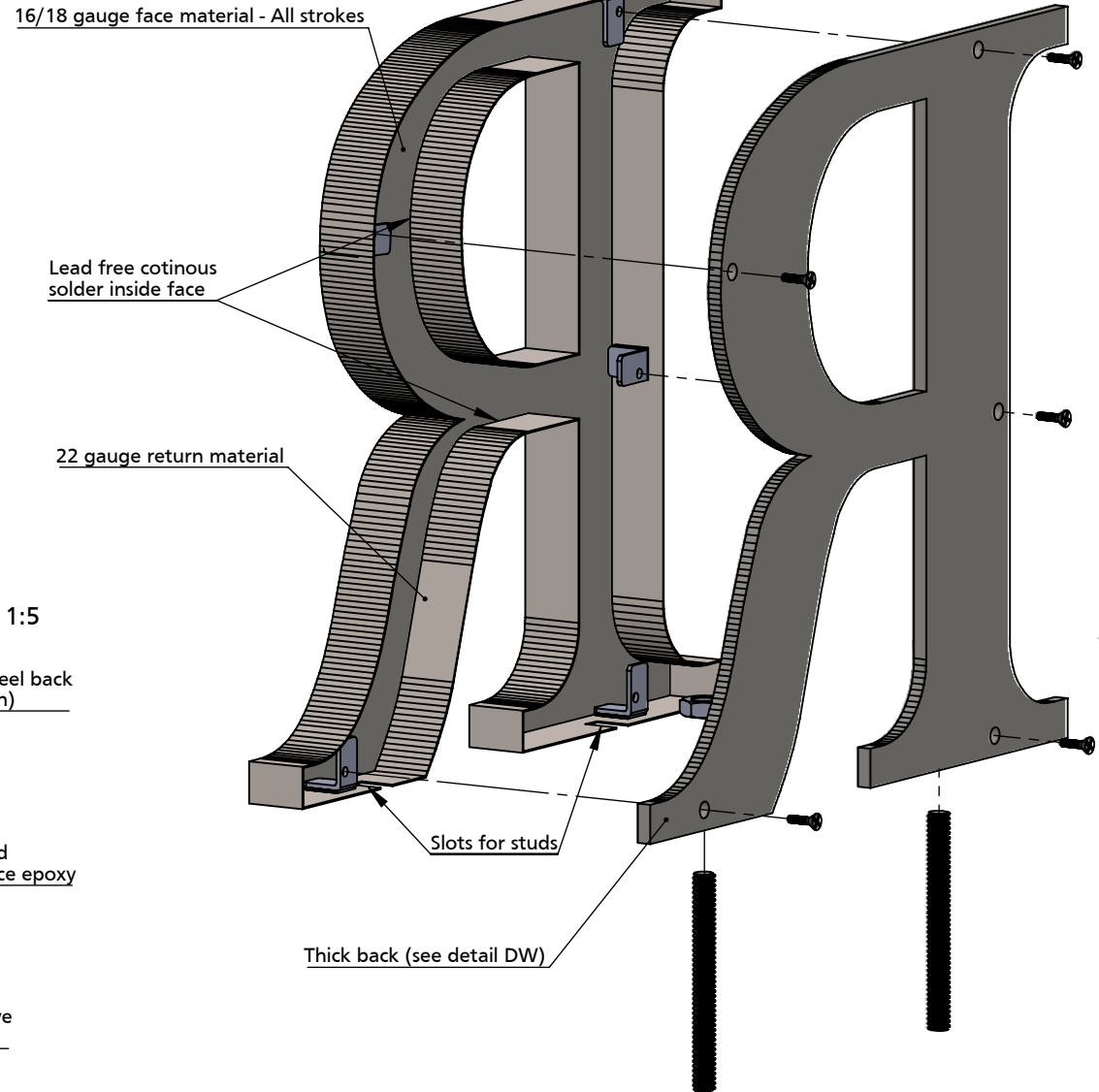
BACK VIEW II SCALE 1:5



SECTION VIEW A-A II SCALE 1:5



DETAIL DW II SCALE 1:1



ISOMETRIC BACK VIEW II SCALE 1:3

**NOTE:** Nuts welded to backs. No tie-backs required.

**MATERIAL OPTIONS**

- Standard - 304 prefinished stainless steel
- Optional - 316 prefinished stainless steel (more corrosion resistant)
- 304 prefinished stainless with titanium coating



TITLE:  
**METAL FACE WITH THICK BACK - BOTTOM STUD**

MATERIAL:  
**STAINLESS STEEL**

PRODUCT TYPE:  
**FABRICATED METAL**