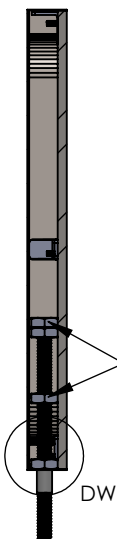


FRONT VIEW II SCALE 1:5



SECTION VIEW A-A II SCALE 1:5

16/18 gauge face material - All strokes

Additional welded nut supports

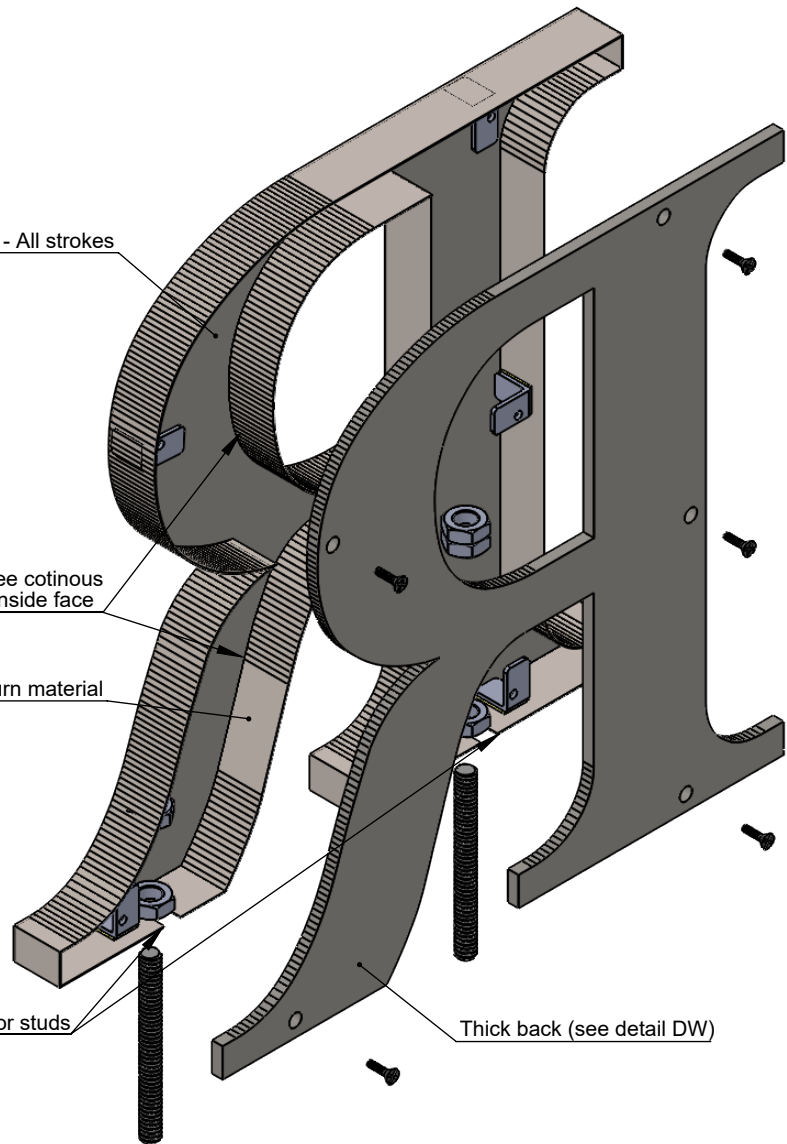
DW

Lead free cotinous solder inside face

22 gauge return material

Slots for studs

Thick back (see detail DW)



ISOMETRIC BACK VIEW II SCALE 1:3

Stainless steel mounting stud (size varies)

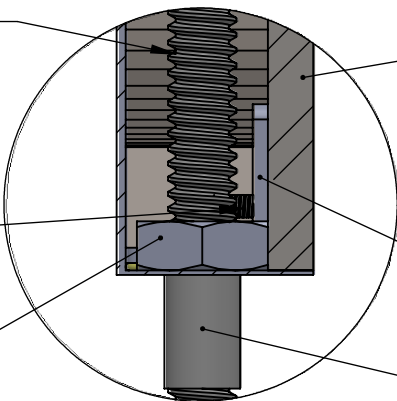
Thick 1/8" or 1/4" stainless steel back (Raw or painted finish)

Flush back secured with stainless steel screws

"L" bracket secured with high resistance epoxy

Stainless steel Hex nut (size varies) welded to thick back

Optional spacer sleeve (size varies)



DETAIL DW II SCALE 1:1

**NOTES:**

- Nuts welded to backs. No tie-backs required.

**STUDS:**

- Up to 18" high 3/8-16 studs - min. 2 per letter  
 - Over 18" high 1/2" studs - min. 2 per letter

**MATERIAL OPTIONS**

Standard - 304 prefinished stainless steel - multiple finishes  
 Optional - 316 prefinished stainless steel (more corrosion resistant) - multiple finishes  
 - 304 prefinished stainless with titanium coating



TITLE:

**METAL FACE WITH THICK BACK - BOTTOM STUD**

MATERIAL:

**STAINLESS STEEL**

PRODUCT TYPE:

**FABRICATED METAL**

DWG NO. FABL120

REV 11/21/16

SCALE: AS INDICATED

SHEET 1 OF 1