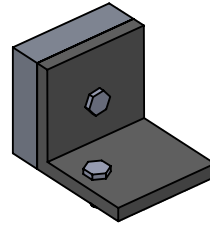


BACK VIEW II SCALE 1:5

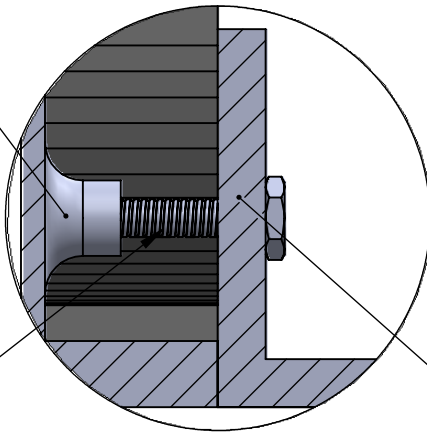
SECTION VIEW A-A II SCALE 1:5

NOTE: Styles with thin strokes or small letters may be cast solid



Stud Boss (size varies)

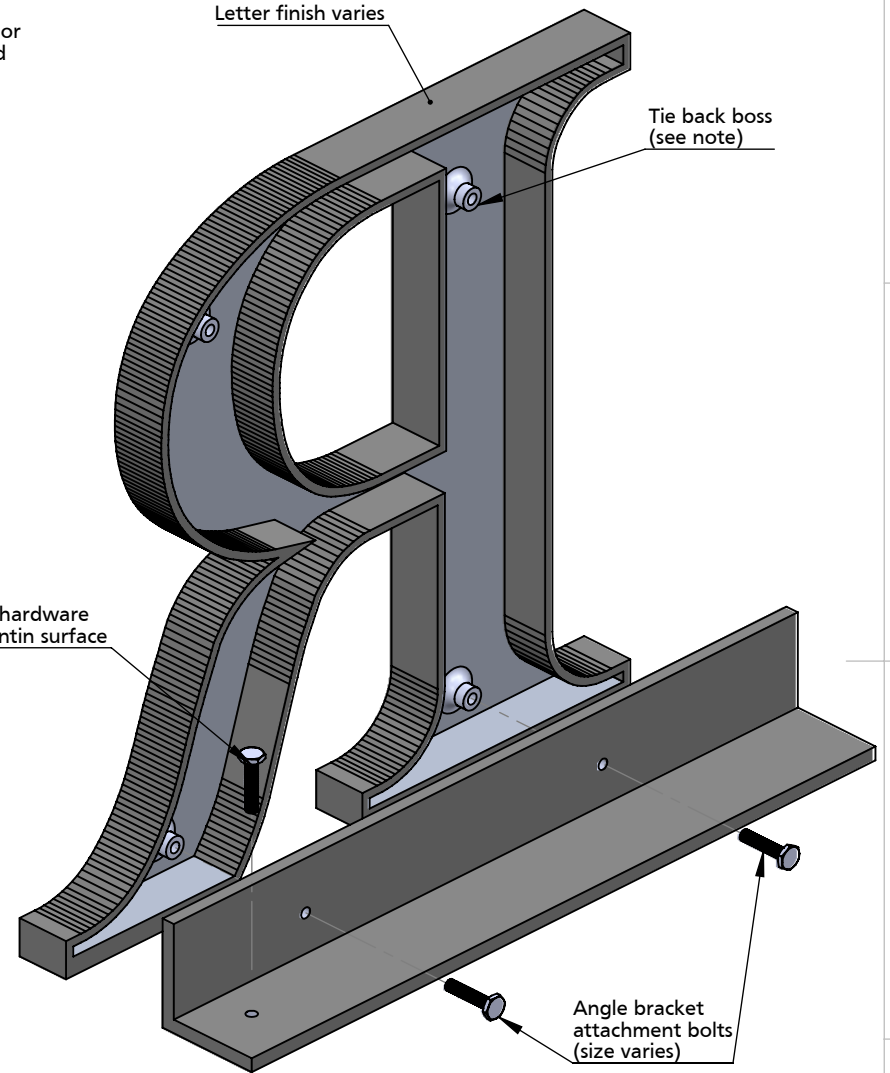
Threaded aluminum bolt (size varies)



90 degree angle 2"x2"x1/4"
Painted or anodized
6063-T2 extruded-aluminum

DETAIL DW II SCALE 1:1

Customers supplied hardware
Type varies by mountin surface



ISOMETRIC BACK VIEW II SCALE 1:3

NOTE:
Letters 4"-24", Minimum 3/8" thick
Tie back required (not supplied) on letters >8" high
Letters are mounted by word. Maximum 96" length



TITLE:

CAST METAL BOTTOM ANGLE BRACKET MOUNT

MATERIAL:

ALUMINUM OR BRONZE

PRODUCT TYPE:

CAST METAL

DWG NO. CAST80

REV 11/20/14

SCALE: AS INDICATED

SHEET 1 OF 1