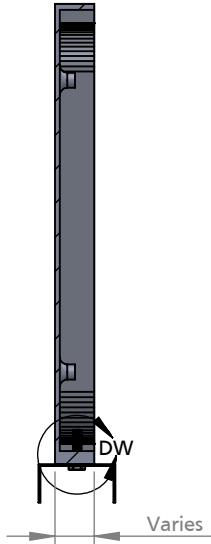
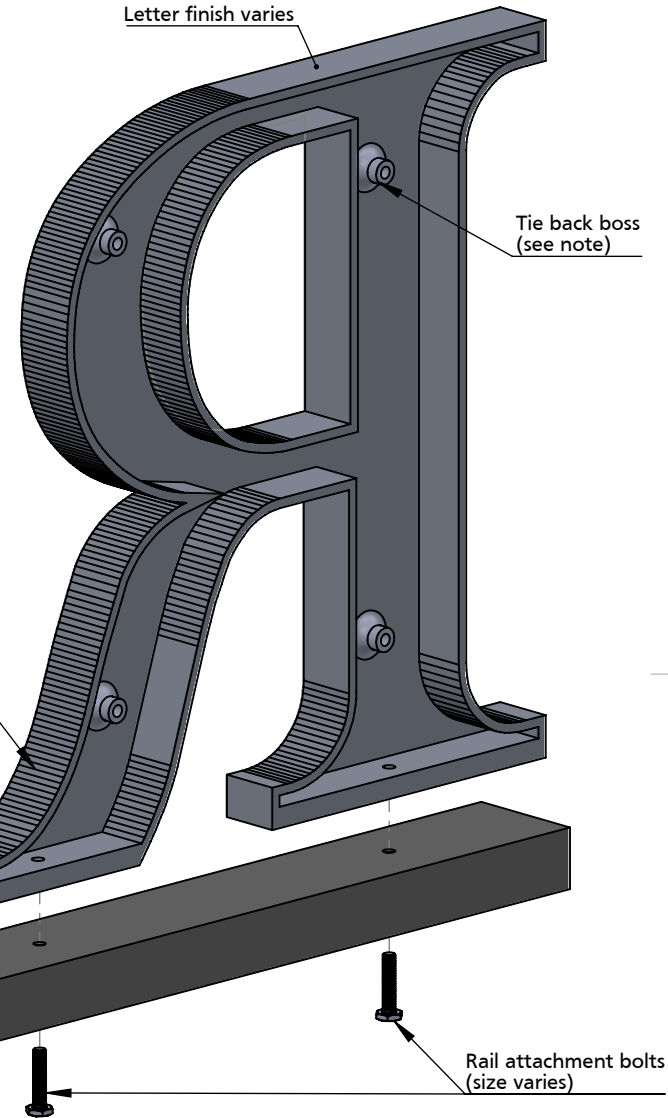
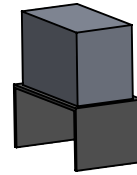


BACK VIEW II SCALE 1:5

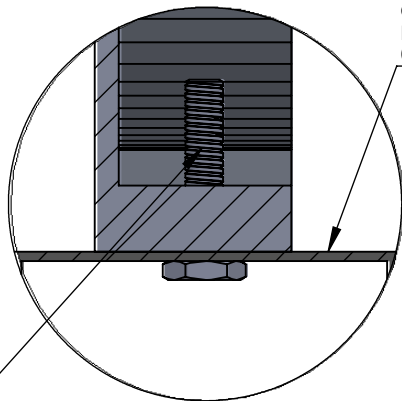


SECTION VIEW A-A II SCALE 1:5

NOTE: Styles with thin strokes or small letters may be cast solid



ISOMETRIC BACK VIEW II SCALE 1:3



DETAIL DW II SCALE 1:1

Threaded aluminum bolt (size varies)

C-shape rail (size varies)  
Painted or anodized  
6063-T2 extruded-aluminum

Rail position options  
Flushed to face/back  
Center of rail (see detail DW)

0 - 70% Return draft

Standard returns  
Bead blasted

Rail attachment bolts (size varies)



NOTE:  
Letters 4"-24", Minimum 3/8" thick  
Tie back required (not supplied) on letters >8" high  
Letters are mounted by word. Maximum 96" length

TITLE:  
**CAST METAL BOTTOM RAIL MOUNT**

MATERIAL:  
**ALUMINUM OR BRONZE**

PRODUCT TYPE:  
**CAST METAL**

DWG NO. CAST60

REV 11/20/14

SCALE: AS INDICATED

SHEET 1 OF 1