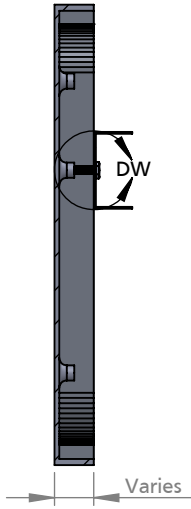
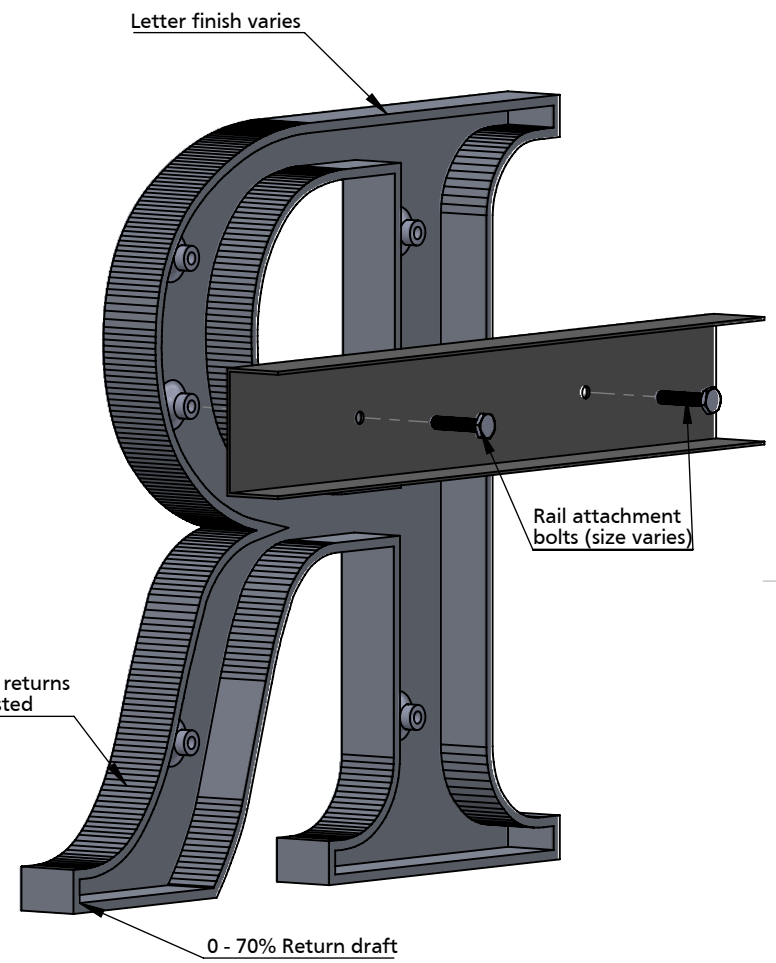
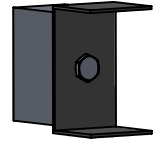


BACK VIEW II SCALE 1:5

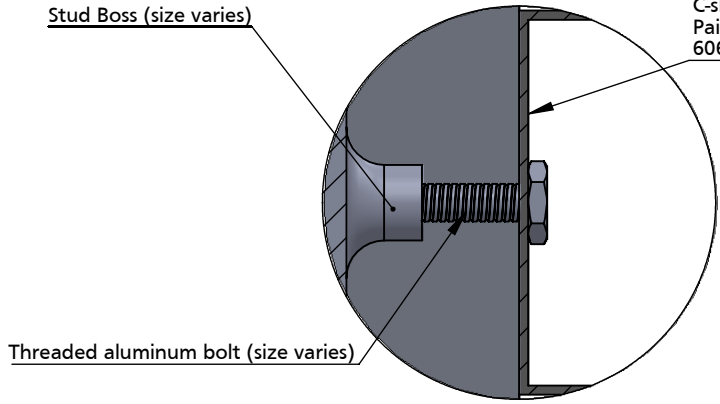


SECTION VIEW A-A II SCALE 1:5

NOTE: Styles with thin strokes or small letters may be cast solid



ISOMETRIC BACK VIEW II SCALE 1:3



DETAIL DW II SCALE 1:1



NOTE: Letters are mounted by word. Maximum 96" length

TITLE: CAST METAL SINGLE RAIL MOUNT			
MATERIAL: ALUMINUM OR BRONZE		PRODUCT TYPE: CAST METAL	
DWG NO. CAST50	REV 11/20/14	SCALE: AS INDICATED	SHEET 1 OF 1