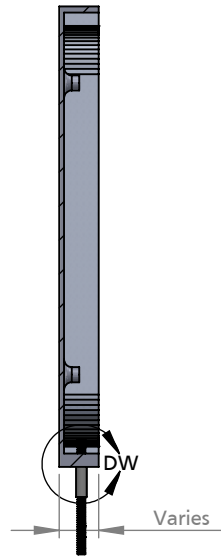
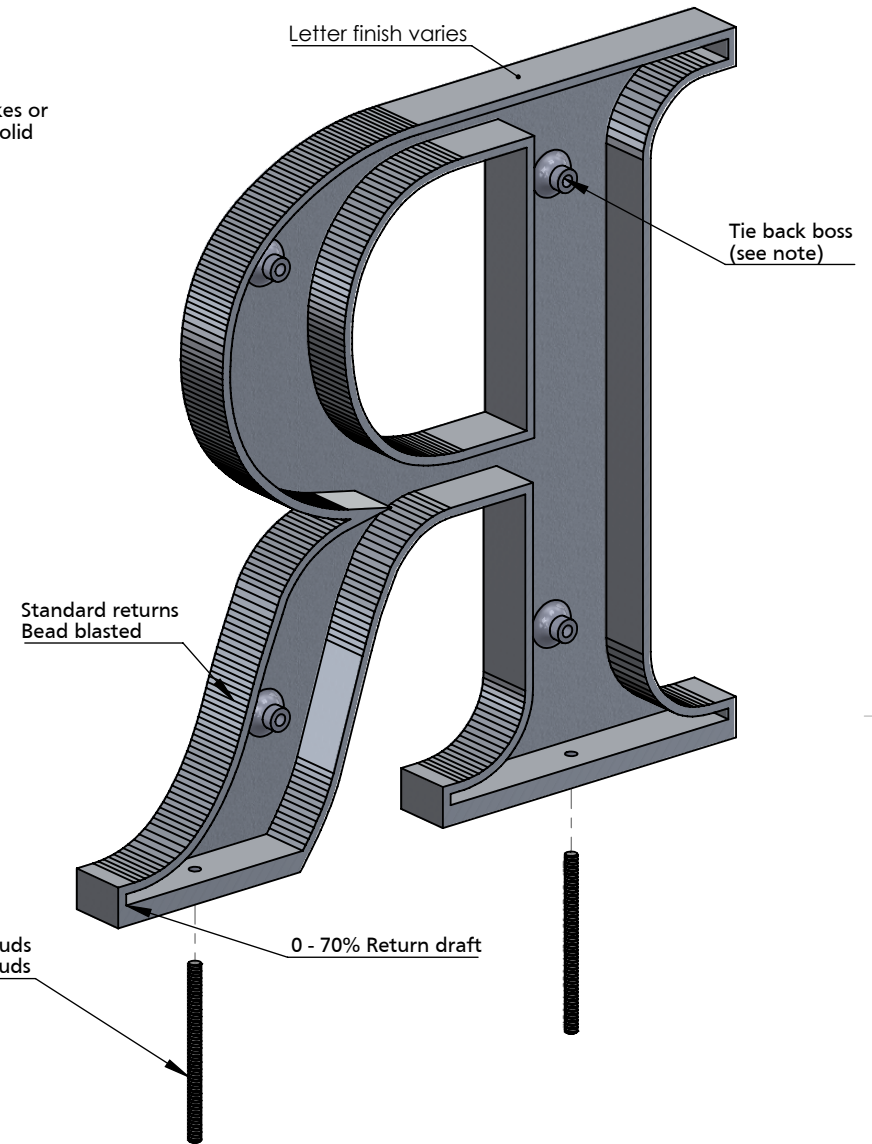
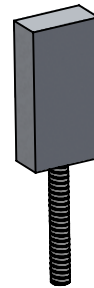


BACK VIEW II SCALE 1:5

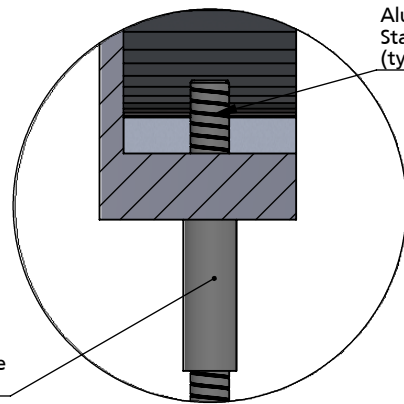


SECTION A-A II SCALE 1:5

NOTE: Styles with thin strokes or small letters may be cast solid



ISOMETRIC BACK VIEW II SCALE 1:3



DETAIL DW II SCALE 1:1

Aluminum stud w/aluminum letter
Stainless steel stud w/bronze letter
(type and size varies)

Optional spacer sleeve
(Size varies)

3/8" - 1/2" thick, 10/24 studs
Over 1/2" thick, 1/4-20 studs

NOTES:
Letters 4"-24", Minimum 3/8" thick
Tie back required (not supplied) on letters >8" high
Typical stud length 2" beyond back of letter
Letters <15" - 10/24 studs, 15"+ - 1/4-20 studs
Round letters (O, C, G, J, Q, S, U) sanded flat on bottom



TITLE:
CAST METAL BOTTOM STUD MOUNT

MATERIAL:
ALUMINUM OR BRONZE

PRODUCT TYPE:
CAST METAL

DWG NO. CAST20

REV 03/12/14

SCALE: AS INDICATED

SHEET 1 OF 1