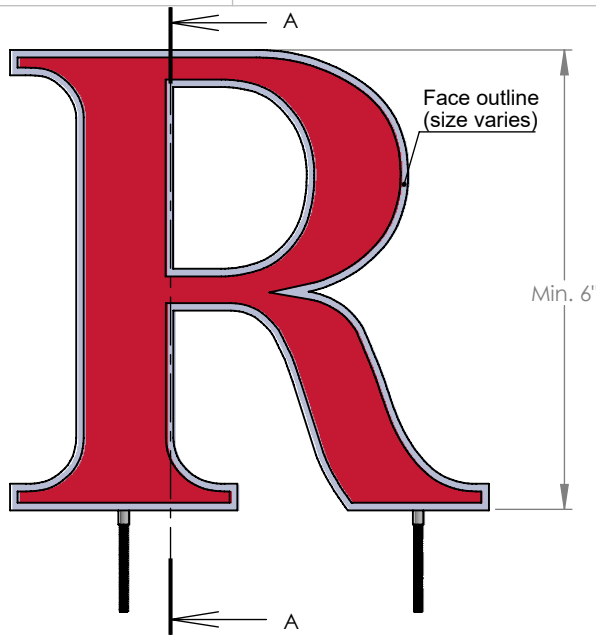
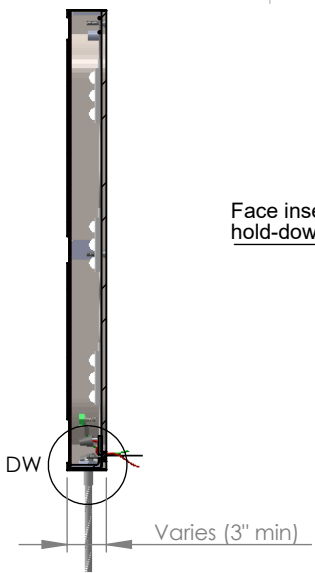


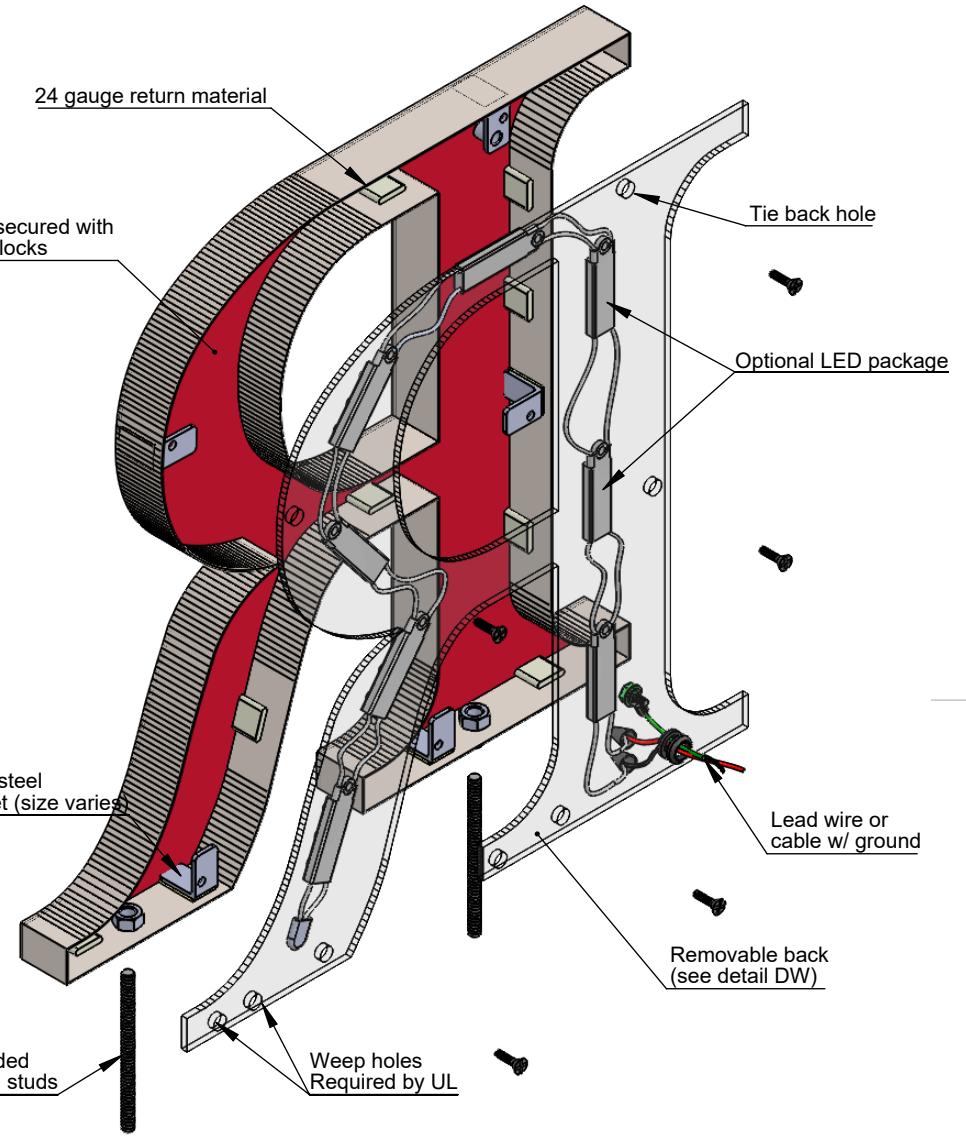
PRODUCT CONSTRUCTION EXAMPLE



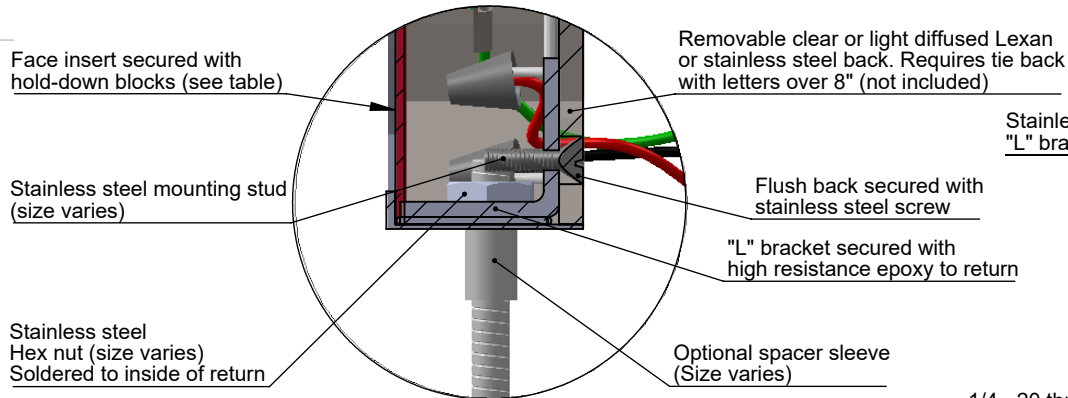
FRONT VIEW II SCALE 1:5



SECTION A-A II SCALE 1:5



ISOMETRIC BACK VIEW II SCALE 1:3



DETAIL DW II SCALE 1:1

- NOTES:**
- Minimum 1" stroke for LEDs, min. 2" deep
  - Lead wires or optional cable wire available
  - Optional: UL listed - LED halo lit package shown
  - Tie backs required (not supplied) on letters > 8" high

- BACK OPTIONS**
- Clear Lexan: 6-12" high - 0.118 thick, over 24" - 0.236" thick
  - Light diffused Lexan: 0.177" thick
  - Stainless steel - same gauge as face

- MATERIAL OPTIONS**
- Standard - 304 prefinished stainless steel
  - Optional - 316 prefinished stainless steel (more corrosion resistant)
  - 304 prefinished stainless with titanium coating

INSERT OPTIONS	
Stainless steel	18-20 gauge up to 24" high
Acrylic	3/16" thick - up to 36" high



TITLE: **FACE LIT - WITH LEDS - BOTTOM STUD**

MATERIAL: **STAINLESS STEEL**

PRODUCT TYPE: **FABRICATED METAL**