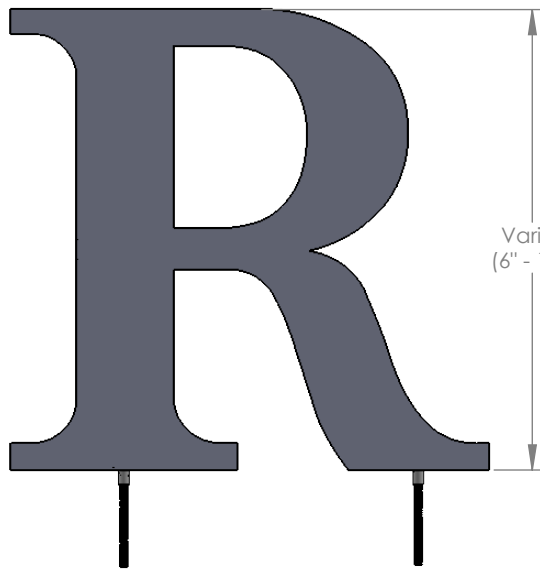
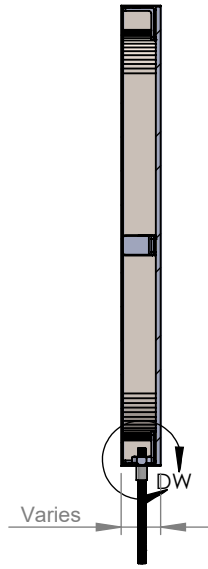


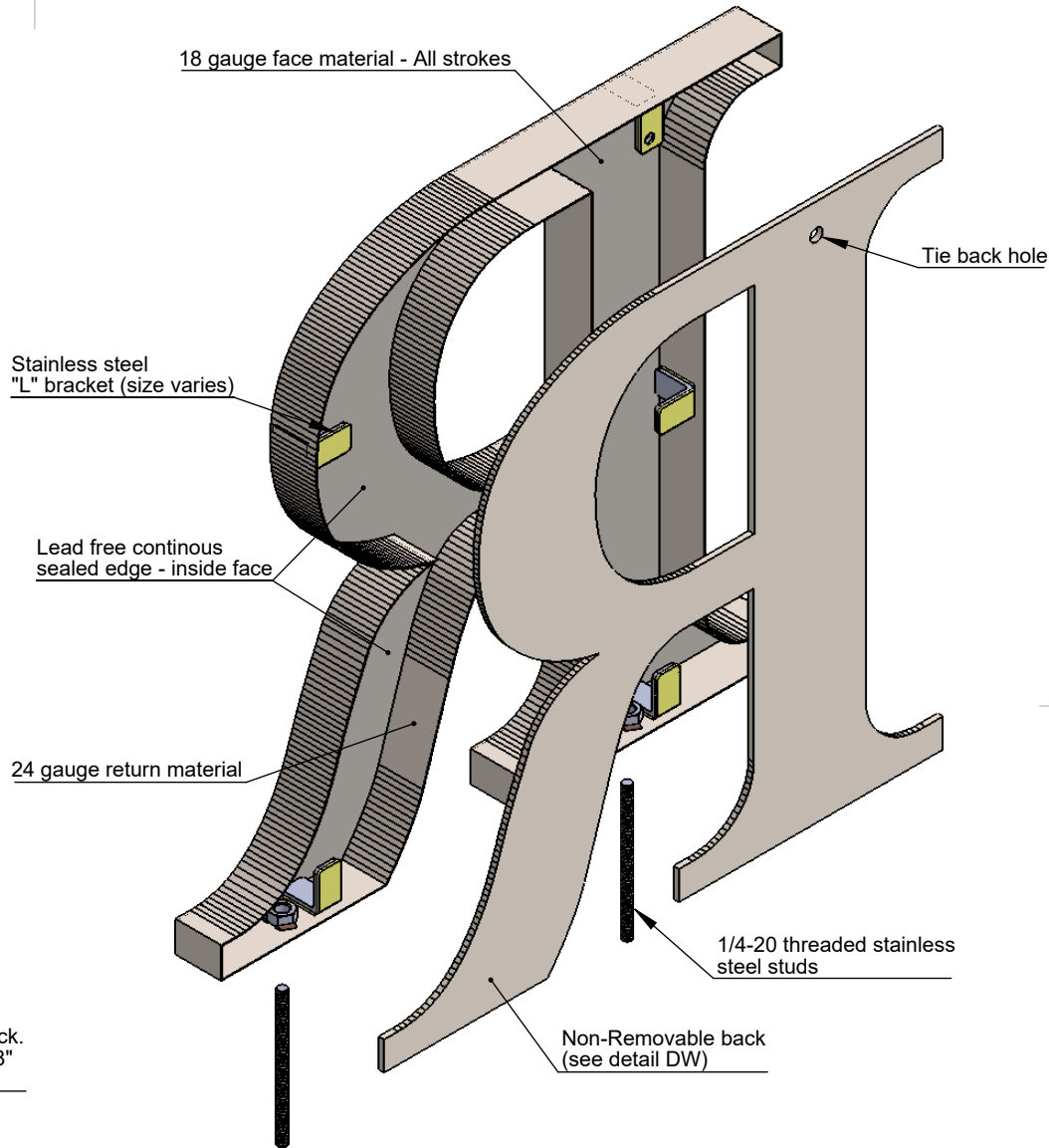
PRODUCT CONSTRUCTION EXAMPLE



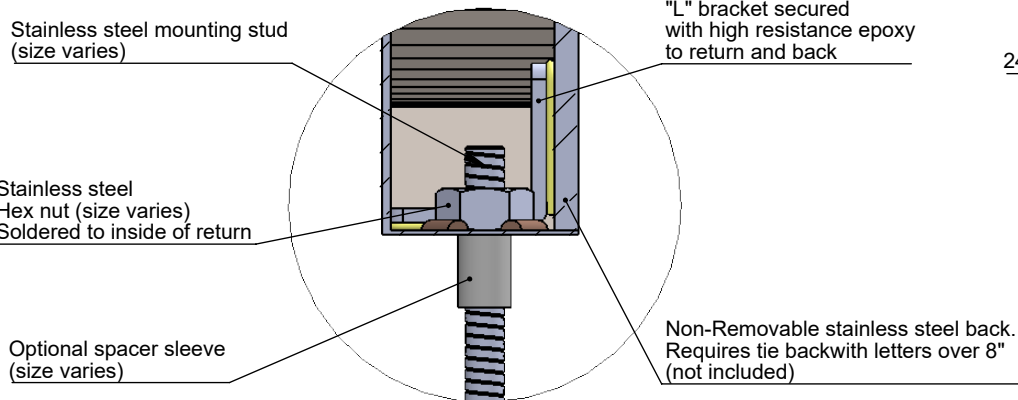
FRONT VIEW II SCALE 1:5



SECTION VIEW A-A II SCALE 1:5



ISOMETRIC BACK VIEW II SCALE 1:3



DETAIL DW II SCALE 1:1

**NOTES:**  
 - Tie backs required (not supplied) on letters > 8" high

**BACK OPTIONS**

- Stainless steel - same gauge as face.

**MATERIAL OPTIONS**

Standard - 304 prefinished stainless steel

Optional - 316 prefinished stainless steel (more corrosion resistant)  
 - 304 prefinished stainless with titanium coating



TITLE: **METAL FACE WITH NON-REMOVABLE BACK  
 BOTTOM STUD MOUNT**

MATERIAL: **STAINLESS STEEL**

PRODUCT TYPE: **FABRICATED METAL**