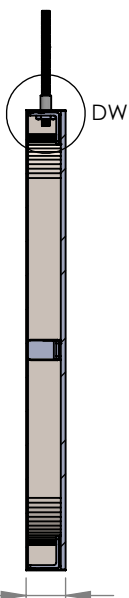
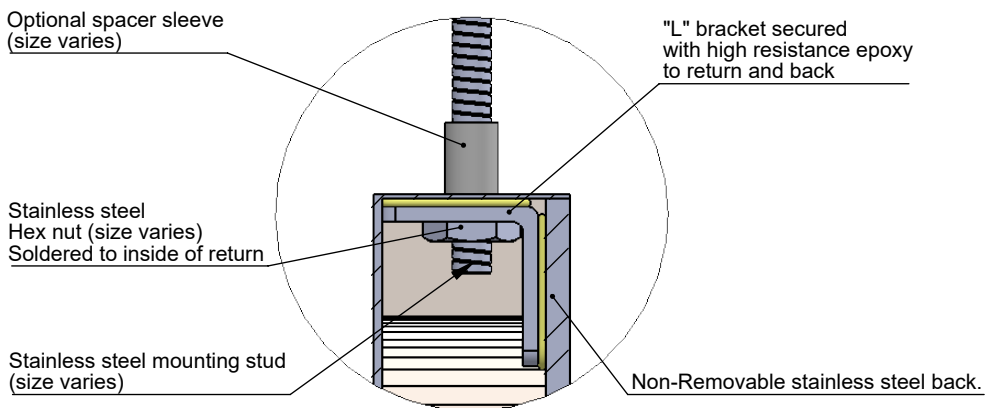


FRONT VIEW II SCALE 1:5



SECTION VIEW A-A II SCALE 1:5



DETAIL DW II SCALE 1:1

**NOTES:**  
 - Tie backs required (not supplied) on letters > 8" high

**BACK OPTIONS**

- Stainless steel - same gauge as face

**MATERIAL OPTIONS**

Standard - 304 prefinished stainless steel

Optional - 316 prefinished stainless steel (more corrosion resistant)  
 - 304 prefinished stainless with titanium coating



1/4-20 threaded stainless steel studs

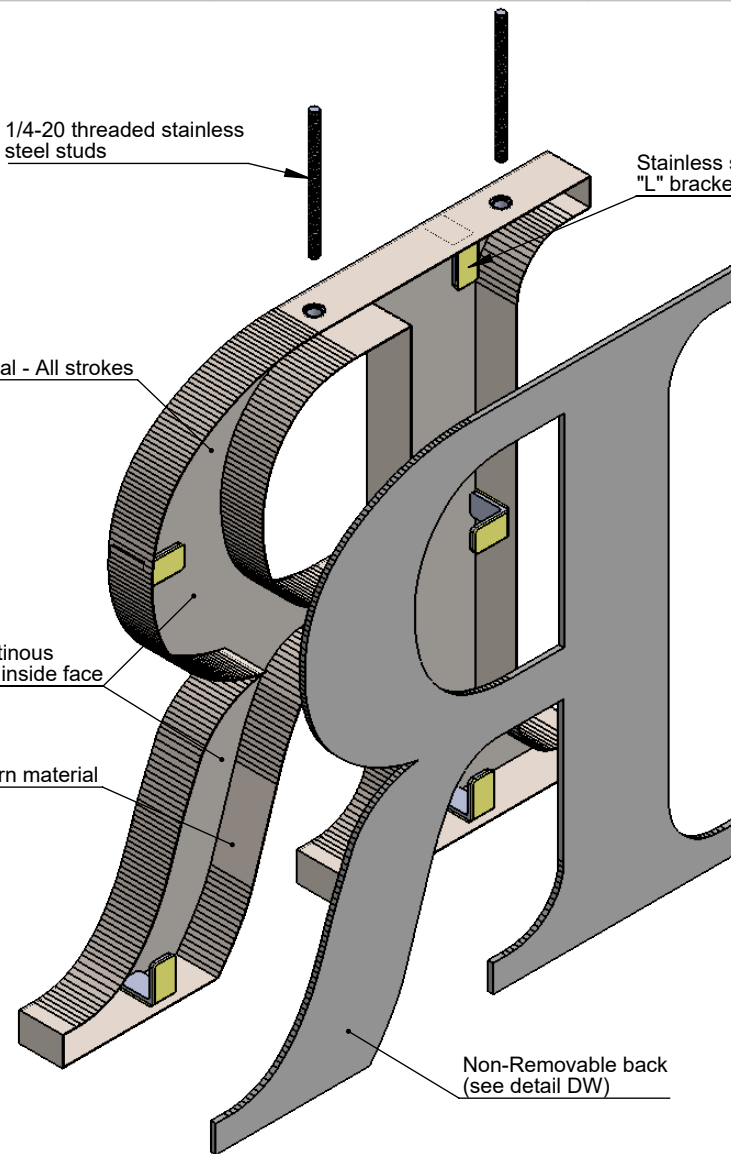
Stainless steel "L" bracket (size varies)

18 gauge face material - All strokes

Lead free continous sealed edge - inside face

24 gauge return material

Non-Removable back (see detail DW)



ISOMETRIC BACK VIEW II SCALE 1:3

TITLE:  
**METAL FACE WITH NON-REMOVABLE BACK  
 TOP STUD MOUNT**

MATERIAL:  
**STAINLESS STEEL**

PRODUCT TYPE:  
**FABRICATED METAL**